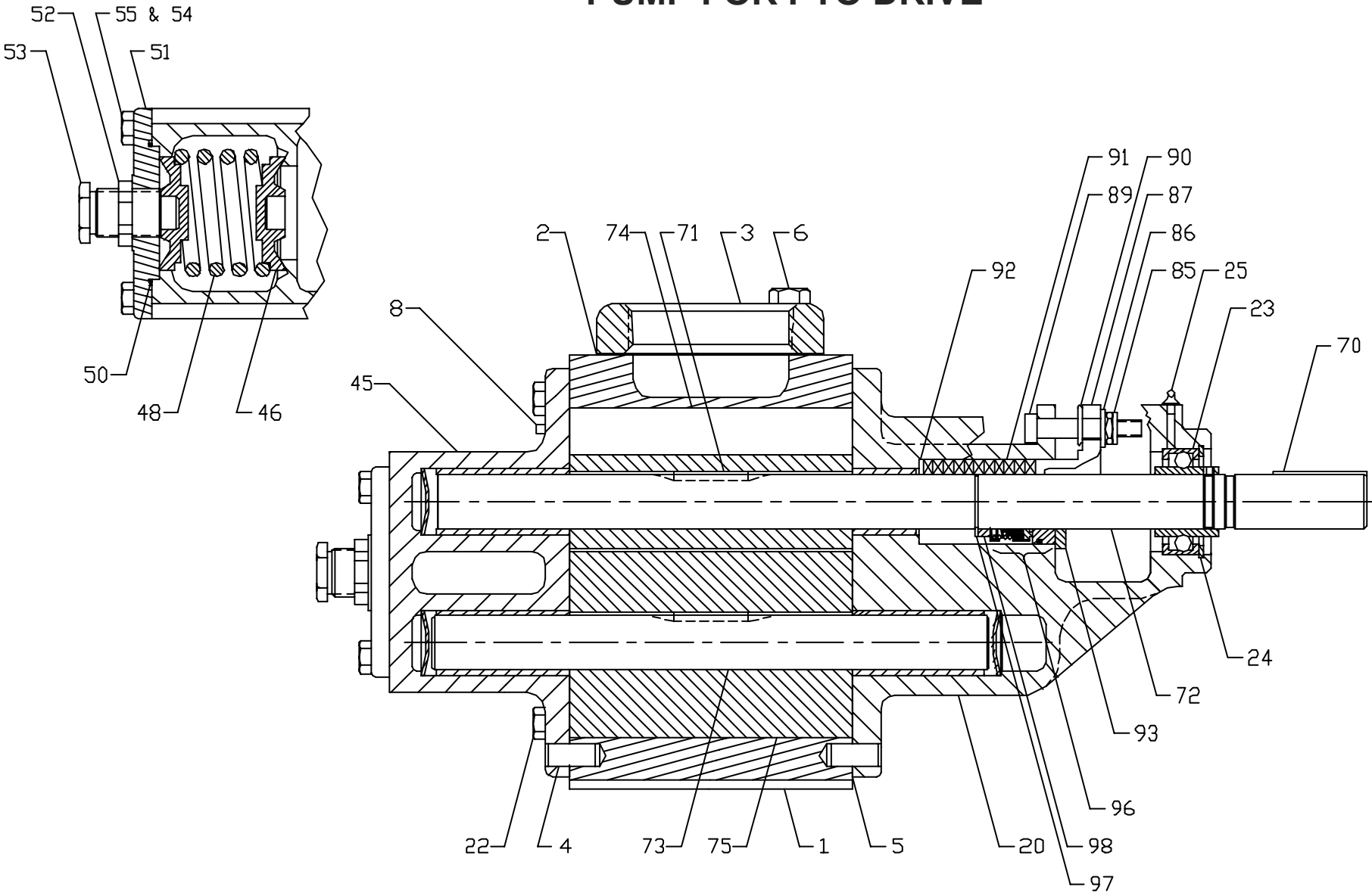


ROPER 3632 Thru 3748 HB,F,RV PUMP FOR PTO DRIVE



3632, 3643, 3648 HBF,RV
3732, 3743, 3748 HBF,RV

3632 THRU 3748 HBF, RV PTO Driven Pump

KEY NO.	DESCRIPTION	3632 & 3732		3643 & 3743		3648 & 3748	
		QTY	PART NO.	QTY	PART NO.	QTY	PART NO.
1	Case	1	N22-223	1	N22-222	1	P1-481
2	Gasket, Flange	2	D11-612	2	D11-90	2	D11-90
3	Flange	2	P23-150	2	P23-10	2	P23-19
4	Dowel Pin	4	G48-49	4	G48-49	4	G48-49
5	Case Gasket	3	D11-397	3	D11-397	3	D11-397
6	Hex Hd Cap Screw	8	G49-062200	8	G49-062200	8	G49-062200
8	Pipe Plug	2	G56-12	2	G56-12	2	G56-12
20	Backplate Assy, Brz Brgs	1	N2-1036	1	N2-1036	1	N2-1036
22	Hex Hd Cap Screw, Plain	16	G49-050150	16	G49-050150	16	G49-050150
	Hex Hd Cap Screw, RV	14	G49-050150	14	G49-050150	14	G49-050150
23	Ball Brg	1	G40-35	1	G40-35	1	G40-35
24	Ret Ring	1	G41-5	1	G41-5	1	G41-5
25	Lube Ftg	1	G63-1	1	G63-1	1	G63-1
45	Faceplate Assy, Plain, Brz Brgs	1	N3-477	1	N3-477	1	N3-477
	Faceplate Assy, RV, Brz Brgs	1	N3-405	1	N3-405	1	N3-405
46	Poppet	1	D16-112	1	D16-112	1	D16-112
48	Spring, Std Press	1	G10-383	1	G10-383	1	G10-383
	Spring, High Press	1	G10-386	1	G10-386	1	G10-386
50	"O" Ring, RV Cap	1	G14-485	1	G14-485	1	G14-485
51	RV Cap	1	P14-44	1	P14-44	1	P14-44
52	Nut, Lock & Seal	1	G33-6	1	G33-6	1	G33-6
53	Adjusting Screw	1	D15-42	1	D15-42	1	D15-42
54	Nut	1	G44-050	1	G44-050	1	G44-050
55	Hex Hd Cap Screw, RV	2	G49-050600	2	G49-050600	2	G49-050600
70	Key, Drive	1	D30-11	1	D30-11	1	D30-11
71	Key, Gear	2	D30-10	2	D30-10	2	D30-10
72	Drive Shaft	1	D1-2685	1	D1-2675	1	D1-2009
73	Idler Shaft	1	D1-2686	1	D1-2676	1	D1-2087
74	Gear, RH	1	P6-477	1	P6-475	1	P6-384
75	Gear, LH	1	D6-1264	1	D6-1265	1	P6-383
85	Locknut	2	G43-12	2	G43-12	2	G43-12
86	Pkg Gland Clip	2	D42-4	2	D42-4	2	D42-4
87	Pkg Gland	1	P10-179	1	P10-179	1	P10-179
89	Sq Hd Bolt, Pkg	2	G67-050300	2	G67-050300	2	G67-050300
	Sq Hd Bolt, Mech Seal	2	G67-050125	2	G67-050125	2	G67-050125
90	Spring Clip	1	D42-3	1	D42-3	1	D42-3
91	Pkg Set	1	N43-3	1	N43-3	1	N43-3
92	Pkg Washer	1	G8-249	1	G8-249	1	G8-249
93	Seal Retainer	1	D23-267	1	D23-267	1	D23-267
96	Mech Seal, Complete	1	G4-112	1	G4-112	1	G4-112
97	Ret Ring	1	G41-155	1	G41-155	1	G41-155
98	Seal Spacer	0	N/A	0	N/A	1	D45-166

Backplate Assy includes Brz Brgs: (1) G5-264 and (1) G5-265

Faceplate Assy includes Brz Brgs: (2) G5-265